



Forever Pure

Kinetico's K5 Drinking Water Station alleviates all your water worries—today's and tomorrow's.





Clean, crystal clear, worry-free drinking water

The simple fact is we can no longer take the quality of our drinking water for granted. Private well water can be affected by any number of contaminating factors, while even municipally treated water that meets all federal guidelines has been found to contain bacteria, viruses and protozoa, along with a host of other contaminants.*

And while funny tastes and odor, or water that appears cloudy, can be signs of impurities, many harmful contaminants can only be detected through proper testing.

Only one drinking water system is so advanced that it can eliminate nearly everything from your home's drinking water that isn't water:

The Kinetico K5 Drinking Water Station

- Certified to remove more contaminants than any other RO system
- It's customizable to your home's specific filtration needs
- It's expandable as your water filtration needs change over time



The K5 Drinking Water Station from Kinetico is certified to remove more contaminants than any other RO system.

*These contaminants are not necessarily in your water.



Better water brilliantly designed

Only the Kinetico K5 Drinking Water Station gives you this level of protection: three fixed filters—a PreFilter, Reverse Osmosis Filter and PostFilter—transform water into clear, unbelievably great-tasting drinking water, while two auxiliary filters—or FlexFilters—allow for complete system customization for tackling your water’s specific filtration needs.

**10
YEAR**

*Limited
Warranty*

1 PreFilter

The PreFilter removes chlorine used in large-scale municipal water treatment, as well as sediment particulates down to $\frac{1}{16}$ the diameter of a human hair.

Reverse Osmosis Filtration







Through a process known as reverse osmosis, water is forced through a semi-permeable membrane that filters inorganic contaminants like metals and nitrates.



FlexFiltration ³

Revolutionary dual FlexFilters provide customizable filtration to tackle your water's individual filtration needs. Use any two of the following cartridges or none—the choice is yours.

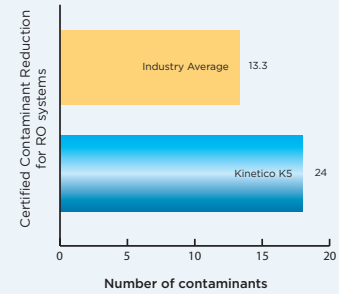
FlexFiltration Cartridges

-  **Purefecta® Guard** - Removes 99.99999% of bacteria and 99.99% of viruses, generating bio-pure drinking water as certified by trusted third-party regulators
-  **VOC Guard** - Eliminates volatile organic compounds in water such as pesticides, paints, cleaning supplies and other materials
-  **Arsenic Guard** - An added layer of protection for water that has been shown to contain higher levels of arsenic (such as As III) to ensure its removal
-  **Perchlorate Guard** - Occurring as the byproduct of certain forms of manufacturing, perchlorate has been shown to have adverse effects on the thyroid and has been detected in drinking water and ground water in 35 states
-  **Chloramine Guard** - Significantly reduces chloramine, a chemical used to treat approximately 1/3 of US municipal water sources
-  **Mineral Plus** - This additive cartridge lets you add beneficial minerals such as magnesium and calcium to your treated drinking water

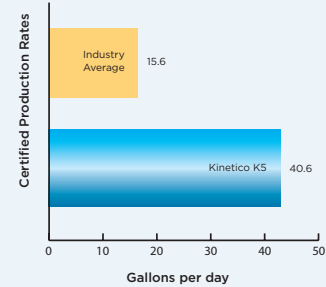
4 PostFilter

The PostFilter removes any remaining inorganic compounds that could cause foul taste or odor.

Removes More Contaminants



Higher Production Rates



Our thinking



PureMometer® indicates how much filter capacity remains



MACguard® shuts off flow automatically when filters expire to safeguard against impurities



EverClean® Rinse prolongs filter life by cleaning the system with the very same high-quality water produced by the system

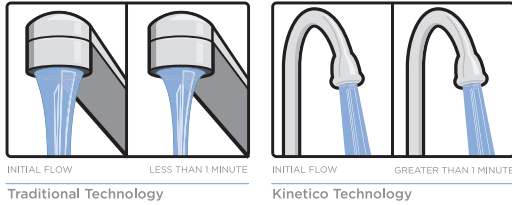


QuickFlo provides consistent flow rates regardless of whether the storage tank is full or nearly empty



Exclusive Faucet elegantly dispenses a steady stream of great-tasting drinking water

Outperforming all others



Not only is the Kinetico K5 Drinking Water Station certified to remove more contaminants than any other system, it also offers higher production rates—producing more than 40 gallons of drinking water daily—along with higher, more sustained flow rates made possible by QuickFlo technology.

Un-bottling your life

Everyone knows bottled water is costly and wasteful. But did you also know that certain bottles are known to leach chemicals into the very water they contain? With the Kinetico K5 Drinking Water Station, you can enjoy both the best tasting, best quality drinking water on earth *and* a clear conscience.



untreated vs. treated water

A difference you can see, smell and taste

Quality Kinetico drinking water is water as it should be: clear, pure and without foul taste or odors. Water that your family can enjoy day or night, right from the tap. Water that is truly above all suspicion.

↩ Just one look and you'll understand why.



Environmentally yours

Kinetico has been the green alternative for nearly 40 years since introducing the world's first non-electric home water system. Today, we continue to develop systems that are the most efficient of any in the marketplace. Lessening our impact, conserving energy, engineering with an eye toward sustainability—it's what we believe in as a company.

Better water flows from better thinking.

Made in the USA. Put to work worldwide.

Since 1970, Kinetico has been designing and manufacturing water treatment systems right here in the USA that solve a variety of water problems. Kinetico continually develops and offers products to meet the diverse water treatment needs of people in nearly 100 countries worldwide.



Our professional promise

Kinetico dealers hold themselves to loftier standards. Whether providing a thorough analysis of your home's water, explaining how water systems work or recommending one that's right for you, one thing is certain. Nobody brings a higher degree of professionalism into your home. **We promise.**



Socialize with us!

For news on water issues, upcoming events, promotions and more, visit us on Facebook and Twitter.



➔ facebook.com/KineticoWater
➔ twitter.com/KineticoHQ

Independent Laboratory Certification

Select Kinetico products are tested and certified by Independent Laboratories. For specific claims and certifying laboratories, refer to performance data sheets or consult your local Kinetico Dealer.



Choose your configuration

The K5 is fully customizable in order to meet the needs of virtually any home. It also comes pre-configured in the four packages listed below. Each package is designed to address a specific set of filtration needs.



Standard

Three filters—one to remove chlorine, another to remove contaminants such as metals and nitrates, and one more to eliminate additional compounds that could result in foul tastes and odors.



Guard

Offering all the protection of the standard configuration, this package goes on to safeguard your family against volatile organic compounds such as pesticides, paints and other chemicals.



Enhance

By adding minerals to water already treated by the standard configuration, this package actively supports your nervous system—helping to build strong bones, regulate blood flow and relax muscle tension.



Biopure

While the standard configuration cleans your water, this package goes even further, offering the ultimate in purification to alleviate all your water worries and provide total peace of mind.



Customize your own

The K5's revolutionary dual FlexFilters provide customizable filtration to tackle your water's specific filtration needs. Use any two of the following cartridges or none at all—the choice is yours.



Purefecta Guard—Generates biopure drinking water, removing 99.99999% of bacteria and 99.99% of viruses



VOC Guard—Eliminates volatile organic compounds (pesticides, paints, cleaning supplies and other materials)



Arsenic Guard—Specifically designed to filter arsenic (As III) to ensure its complete removal



Perchlorate Guard—Specially designed to remove perchlorate, a by-product of certain forms of manufacturing



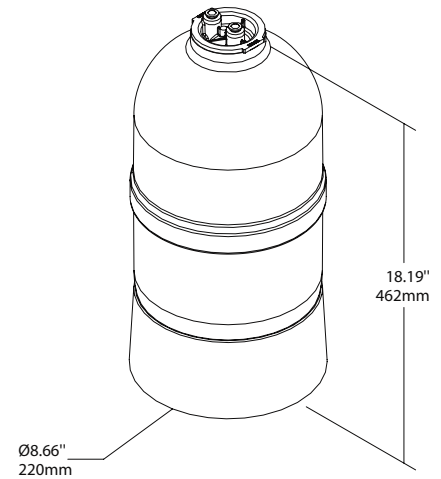
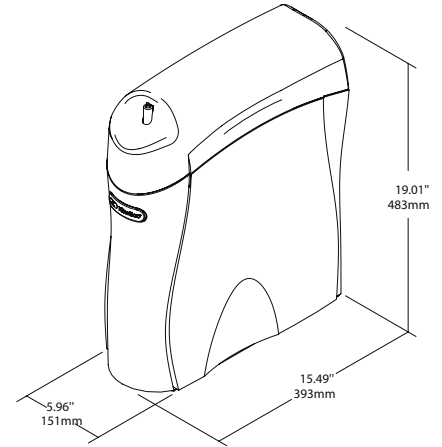
Chloramine Guard - Significantly reduces chloramine, a chemical used to treat approximately 1/3 of US municipal water sources



Mineral Plus—Adds beneficial minerals (magnesium, calcium, etc.) to treated drinking water

What Makes The Kinetico K5 Drinking Water Station Different?

- 1. Cartridge Options.** Eight different options to meet your removal needs now and in the future. Includes the Purefecta[®] Virus/Bacteria Guard* for microbiologically pure water. The Mineral Plus⁺ cartridge improves the taste and health benefits of water by adding magnesium and calcium back into the treated water. Cartridges also available for arsenic, chloramines⁺, chlorine/sediment, sediment, perchlorate⁺ and VOC reduction. Final polish with carbon post filter.
- 2. QuickFlo Technology.** Delivers a strong flow of water from the faucet. Allows system to produce more water in less time.
- 3. High Daily Production.** Can produce more than 40 gallons per day.
- 4. Quick Disconnect Sanitary Filter Cartridges.** Makes changing filters easy.
- 5. Patented, Exclusive EverClean[®] Rinse.** Consistently-high water quality. Increases membrane life - lowers maintenance cost.
- 6. PureMometer[®] Filter Life Indicator.** Shows filter capacity.
- 7. Patented, Tamper-Proof MACguard[®] Filter.** No more wondering when to change cartridges. Assures high quality water and peace of mind.
- 8. Automatic System Shutdown.** Conserves water - doesn't run water continuously to drain.
- 9. Exclusive Designer Faucet.** Lead-free, stylish design available in a variety of finishes.
- 10. Non-Electric, Totally Automatic.** No electrical problems.
- 11. Efficient Operation.** Conserves water, lower operating costs.
- 12. Outstanding Warranty.** Dependability, peace of mind.



*Tested and certified by WQA against NSF P231- microbiological water purifiers.

*Tested and verified by independent laboratory testing.

Socialize with us!

For news on water issues, upcoming events, promotions and more, visit us on Facebook and Twitter.



facebook.com/KineticoWater
twitter.com/KineticoHQ

Independent Laboratory Certification

Select Kinetico products are tested and certified by Independent Laboratories such as NSF and WQA. The K5 Drinking Water Station conforms to CSA Standard B 483.1. For specific claims and certifying laboratories, refer to performance data sheets or consult your local Kinetico Dealer.

